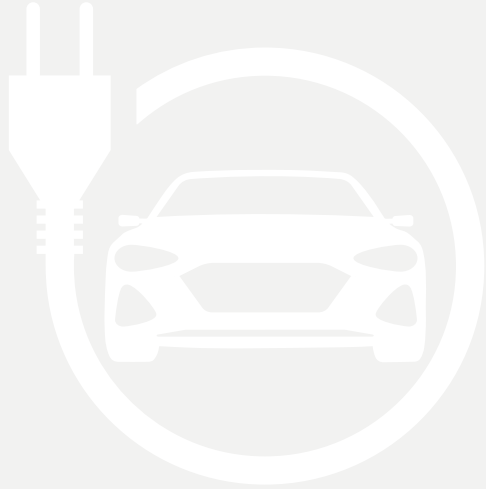




Mobile scissor lift

1000KG

LT1000M



- 1000kg lifting capacity
- Foot control
- Includes 4 adjustable take-up pads
- Ideal for electric car batteries
- Insulated table top

Technical specifications

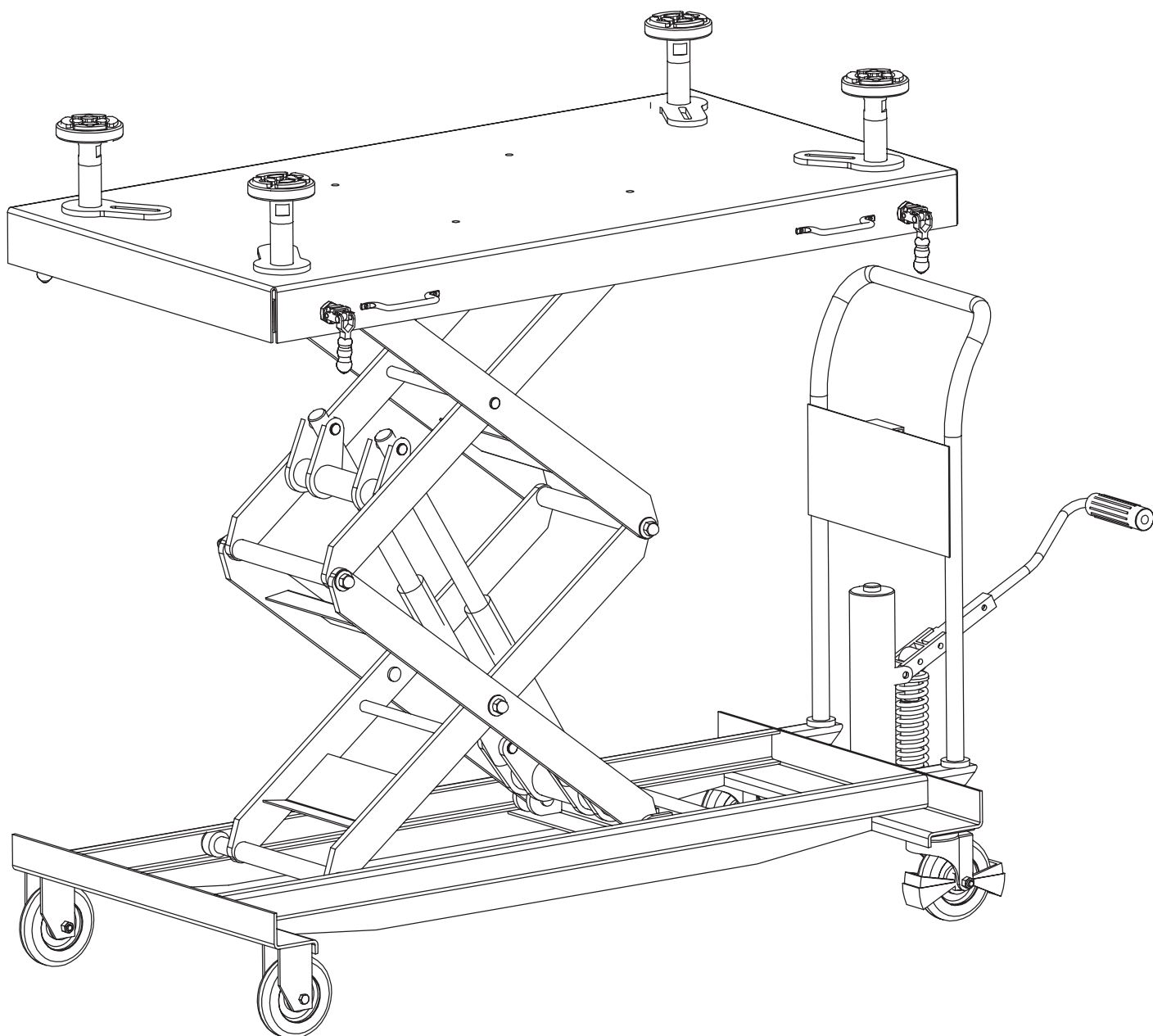
Lifting capacity	1000 kg
Platform dimensions	800 x 1500 mm
Min. platform height (without pads/with pads)	525 / 680 mm
Platform height max (without pads/with pads)	1680 / 1890 mm
Wheel size	150 x 50 mm



Features

- Sturdy and reliable lift table
- Can lift heavy loads up to 1000 kg with ease
- Specially developed for electric vehicles
- Ideal for (dis)assembly of engines, gearboxes, lithium-ion car battery packs and other chassis components
- Moveable in width for flexible use
- Hydraulic foot control for full control of the lifting process
- Designed for ergonomic working height to reduce back and arm strain
- Perfect for lifting electric car batteries or other heavy objects in workshop or garage
- Adjustable adapter to adapt lift table to specific needs

Dimensions (mm)



Lengte	900 mm
Breedte	2.150 mm
Hoogte	1.140 mm
Gewicht	275,0 Kg