



# Pit jack 15 000 kg PK15



- Built in air pump
- Dual pump lifting system
- 2 lowering speeds
- Integrated air hydraulic pump
- Modular system

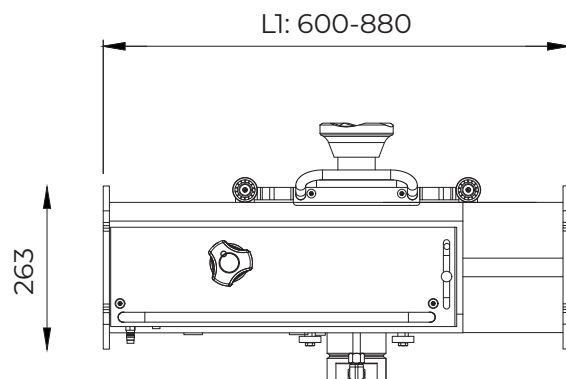
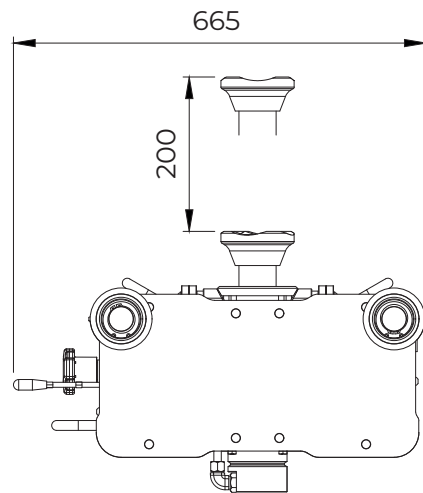


### Technical specifications

Capacity	15 000 kg
Required air pressure	7.5 t/m 12 Bar
Stroke	200 mm
Extend adaptor	100 mm
Min. Height	420 mm
Max. Height	620 mm
Width	600 tot 880 mm
Depth	665 mm
Weight	255 kg

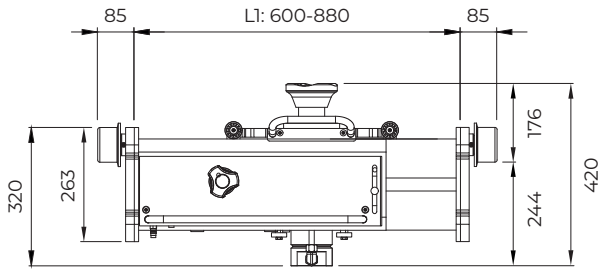
**NB! The pit jack is supplied without adapter plates! See back cover for more information.**

### Dimensions

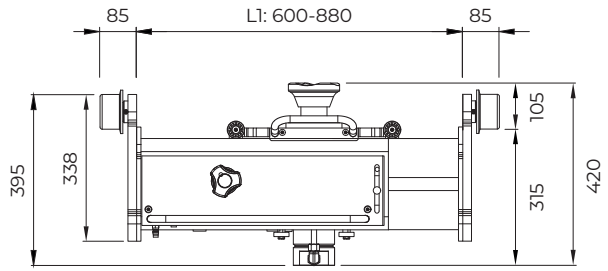


## Selecting the adapter plates

Use the dimensional drawing below to determine which adapter plates are most suitable.



Pit jack dimensions with short adapter plates



Pit jack dimensions with long adapter plates

## Rail

Determine the type of adapter plate wheels based on the rail.

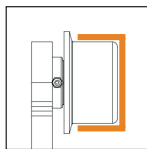


Cylindrical rail



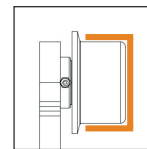
Conical rail

### PK01A Short plate cylindrical wheels



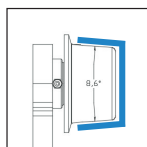
Cylindrical wheel

### PK02A Long plate cylindrical wheels



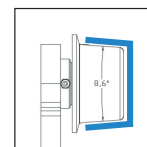
Cylindrical wheel

### PK03A Short plate conical wheels



Conical wheel

### PK04A Long plate conical wheels



Conical wheel